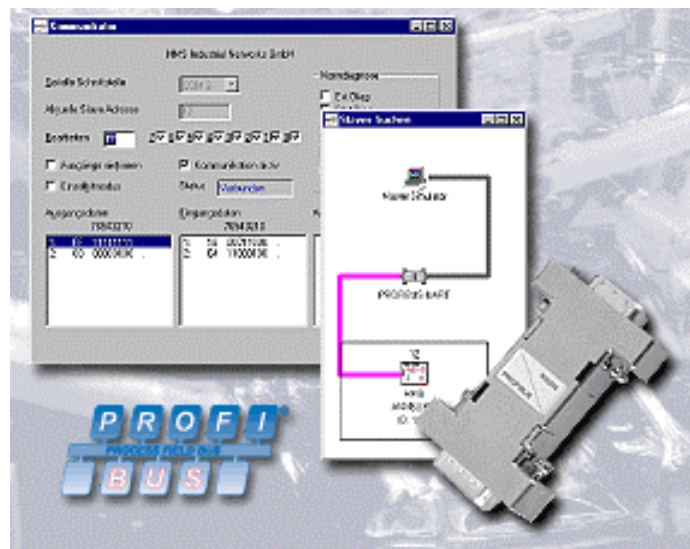


Master Simulator

Test & Diagnostic
Tool for Profibus-DP
and Profibus-DPV1

Product

Overview



For PC and Laptop
under Windows

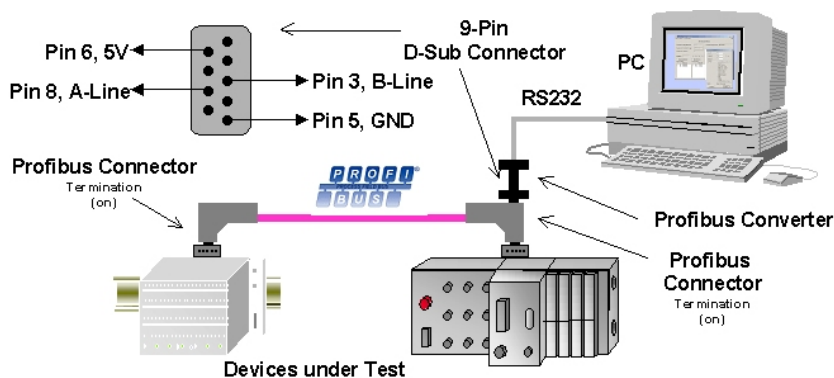
Product description:

The Master Simulator is an easy to use tool for setup and test of Profibus DP slaves. The user friendly application interface makes it easy to configure, initialise and communicate with DP-Slave devices. For example, you can use the tool to test the wiring of the inputs and outputs of an I/O block or even read and write analog values. In addition, the DPV1 version of the Master Simulator allows to read and write acyclic parameter data of intelligent field devices with the Profibus-DPV1 services.

The Master Simulator is useful during setup of the slaves in the Profibus network as well as during final inspection tests at the device manufacturer. For these purposes, the Master Simulator is an economic alternative to an expensive PLC or a Profibus PC interface card. Using the Master Simulator offloads users further from the time consuming writing of specific test programs. However, the Master Simulator is a test tool only. It shall not be recommended to be used in control applications.

The automatic Slave identification functionality permits to communicate to almost any DP-slave device even if the normally required GSD file is not available. So it is possible, to initialize a Profibus-DP or DPV1 slave device step by step and finally read or write the I/O data. Especially during setup and maintenance, where often the GSD files from the devices are not available, the Master Simulator has proven its concept and pays off shortly. The Master Simulator also permits the address assignment of the Profibus slave addresses via the bus as well as to display and analyse the diagnostic messages of the Profibus slaves on the screen.

The connection to the Profibus interface of the slave device is made via an RS-232 to Profibus converter which is connected to the COM-Port of the PC via the serial connection cable. The converter does not need any external power supply so that it is predestined for mobile use with Laptops/Notebooks.



Profibus Baudrate:

19,2 kbit/ s

Interface:

Profibus-DP with RS-485 transmission

Power consumption:

5V/60mA via PIN 5+6 of the Profibus Connector

Connectors:

Profibus RS-485: D-Sub-9 male
Serial RS-232: D-Sub-9 female

Ordernumber

017504

Master Simulator Profibus-DP

Software: Profibus-DP Master Simulator for PC under Windows 9x, NT, 2k, XP.

Hardware: Connection cable to connect the Converter to a PC COM-Port, RS-232/Profibus-DP Converter.

017505

Master Simulator Profibus-DP/DPV1

Software: Profibus-DPV1 Master Simulator for PC under Windows 9x, NT, 2k, XP.

Hardware: Connection cable to connect the Converter to a PC COM-Port, RS-232/Profibus-DPV1 Converter.

COM-USB

USB – Serial Converter

to connect the Profibus-DP or Profibus-DPV1 Master Simulator to an USB interface of a PC or Laptop under Windows 2K or XP.