

JetCard 1208w

8-port RS-232 Wide Temperature Universal PCI Card



- Supports 32-bit Universal PCI bus
- Easy-to-install driver and self-diagnostic utility
- High speed up to 921.6 Kbps
- Built-in 15KV ESD protection
- Supports 128-byte FIFO
- Supports on-board automatic hardware/software flow control
- Industrial-grade operating temperature: -40°C to 80°C



Overview

Korenix JetCard 1208w is world's first 8-port RS-232 Wide Temperature Universal PCI Multiport Serial Card. The self-diagnostic utility and the easy-to-install driver that come with JetCard make it easier for you to set up your complex system. To cope with harsh industrial environments, JetCard 1204w is equipped with 15KV ESD surge protection, and its

operating temperature can be as low as -40°C, and as high as 80°C, giving you extra assurance that your systems can run non-stop. With its powerful features and functions, JetCard 1208w is your perfect choice for applications in building automation, security, retail and POS systems, billboard broadcasting, and telecom management.

High Performance

JetCard Series uses Oxford OXmPCI954 chip, a 4-port Universal Asynchronous Receiver Transmitter, which is well-known for its high performance. Each UART channel in the JetCard offers data transmission speed up to 921.6 Kbps, and bi-directional 128-byte FIFO for each port. Deep FIFO can reduce the CPU's loading, saving CPU's resources for other important tasks. This chip also allows JetCard to be compatible with the widely-used industry-standard 16C550 devices and PCI bus.

In addition to high speed of 921.6 Kbps and 128-byte FIFO, Oxford chip also equips JetCard with on-board flow control function. Instead of using a driver on the PC to control the traffic flow, JetCard uses the on-board flow control function to

reacts directly without waiting for the PC to respond. In this way, the respond time and CPU's loading can be largely reduced, greatly enhancing your system's performance. You can either choose software flow control, which uses Tx and Rx to send/ receive XON/XOFF signals, or select hardware flow control, which uses CTS#/RTS# to send/ receive the signals. The flow control function is to prevent FIFO from overflow. JetCard is ideally suitable for PC applications, enabling PC users to take advantage of the maximum performance of analog modem or ISDN terminal adapters. JetCard is also suitable for any communications that require high speed RS-232/RS-422/RS-485 interfaces.

Multiport Serial Card

Specifications

Interface

Bus Interface: 32-bit Universal PCI
Number of Ports: 8
Max. Number of Boards: 4
IRQ: Assigned by PCI plug and play
Data Bits: 5, 6, 7, 8
Stop Bits: 1, 1.5, 2
Parity Bits: None, Even, Odd, Space, Mark
Data Signals: TxD, RxD, RTS, CTS, DTR, DSR, DCD, GND

Hardware

Communication controller: 16C950 compatible (OXFORD)
Board Connector: DB62 Female
Cable Connection:
 DB9 Male or DB25 Male, 100 cm cable length
Cable Model: CM62M9x8-100 or CM62M25x8-100 (optional)

Performance

FIFO Size: 128 Bytes
Speed: 50 bps to 921.6 Kbps
Surge Protection: Embedded 15KV ESD Surge Protection

Power Requirements

Power Consumption: 130 mA (+5 V)

Mechanical

Dimensions: 120 x 80 mm

Environmental

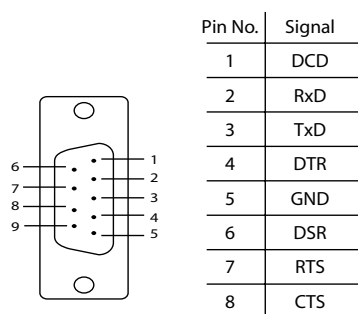
Operating Temperature: -40°C to 80°C (-40°F to 176°F)
Operating Humidity: 5% to 95% (Non-condensing)
Storage Temperature: -40°C to 85°C (-40°F to 185°F)
OS Supported: Windows 98/Me/NT/2000/XP/2003,
 Linux RedHat Enterprise 4.0 (2.6.9)/RedHat Enterprise 3.0 (2.4.21)/
 RedHat 9.0 (2.4.20)/RedHat 8.0 (2.4.18)/RedHat 7.3 (2.4.18)/
 RedHat 7.2 (2.4.7)/FC3(2.6.9)/FC2(2.6.5)/FC1(2.4.22)/
 Mandrake 10.1(2.6.8)/Mandrake 9.2 (2.4.22)

Regulatory Approvals

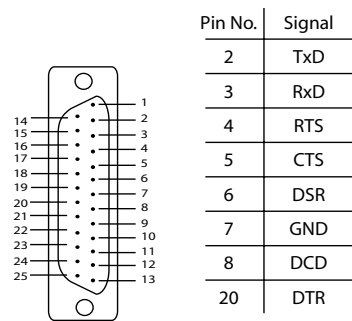
EMI: FCC, CE
Warranty: 5 years

Pin Assignments

RS-232 DB9 Male



RS-232 DB25 Male



Ordering Information

JetCard 1208w 8-port RS-232 Wide Temperature Universal PCI Card

Includes:

- 8-port RS-232 Card
- Quick Installation Guide
- Documentation and Software CD-ROM

Optional Accessories

CM62M9x8-100 Male DB62 to 8-port male DB9 cable, 100cm
CM62M25x8-100 Male DB62 to 8-port male DB25 cable, 100cm