



Indu-Sol GmbH
Blumenstrasse 3
04626 Schmoelln

Telephone:
+49 (0) 34491 5818-0
Telefax:
+49 (0) 34491 5818-99

Email:
info@indu-sol.com
Homepage:
www.indu-sol.com

PROFIBUS-tester PB-Q^{ONE}

Art. No.: 110010050

The PROFIBUS-tester **PB-Q^{ONE}** is a measuring and diagnostic tool that was developed especially for commissioning and factory acceptance tests, maintenance and service as well as troubleshooting in PROFIBUS networks. Its ease of use and clear evaluation of measuring results allow to reliably evaluate the state of the physical and logical transmission quality in the network.

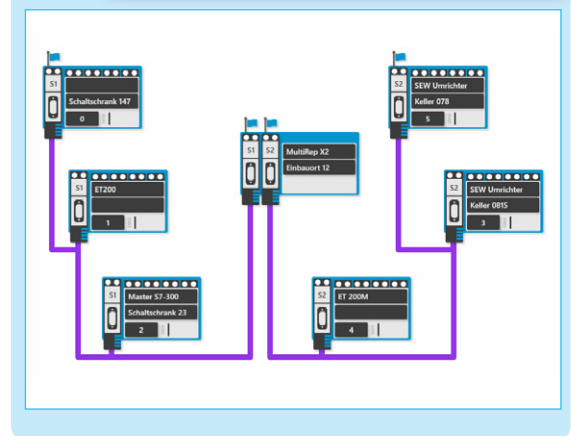
With the PROFIBUS-tester **PB-Q^{ONE}** measuring the transmission levels of the slaves in operation can be physically evaluated and displayed by a measurement bar chart as well taking into account the 7V-drivers of modern PROFIBUS-devices. The levels of the bars infer a measure of the physical transmission quality. Which includes an evaluation of the differential voltage, rising edges and the transient response. As a result all capacitive, inductive and resistive effects become visible.



Highlights

- Ease of use, well-structured handling
- Simplified topology illustration with measuring site management
- Well-structured, editable report to process further in *.pdf or *.doc format
- Measuring results within seconds
- Simple evaluation through traffic light function

Application example topology plan



Diagnosis

| Measuring Points | | |
|--|--------------------------------|--|
| Measured | 1 of 1 | |
| Overall Rating | Measurement at measuring point | |
| Device (Address: 2) - Port 1 | Date: 07/04/2017 | |
| | Timestamp: 14:18:40 | |
| | Duration: 0:00:22.4699081 | |
| Bus Physics | Quality values | |
| Worst Quality Value | 1500 | |
| Best Quality Value | 1500 | |
| Critical Quality Value | 2500 | |
| Number of nodes below critical quality value | 0 | |
| Number of unmeasured nodes (timeout) | 0 | |
| Bus Communication | Protocol Analysis | |
| Stand Rate | 3 MBd/s | |
| Bus Cycle Time (min/max) | 0 ms / 0 ms | |
| Number of received frames | 31 | |
| Number of sent frames | 31 | |

Quality values

