

PROFIBUS-INSpektor® NT

Function

The **PROFIBUS-INSpektor® NT** monitors the logical data traffic as a passive data collector and gives alarm when first abnormalities are detected – not just when the plant already broke down. Quality-related events, such as:

- Repeat telegrams
- Error telegrams
- Device diagnostics
- Device failures and restarts
- Bus cycle time
- Bus speed

are analyzed, stored and evaluated for each device. The PB-INSpektor® NT can be used as a temporary measuring tool, e.g. for commissioning and service or for permanent network monitoring. The contact between the PROFIBUS-INSpektor® NT and the bus is rendered through an active programming cable APKA II (Art. No.: 110040001) or the INSpektor® can be directly connected like a PROFIBUS node.

As soon as a threshold value is exceeded the INSpektor® gives an alarm and warns timely for aimed maintenance measures that are plannable now. An alarm list in the INSpektor® provides detailed information about the error time, the device where the error occurred and the event (exceeded threshold value). The large memory space enables storing up to 2,000 alarms. Each alarm has a snapshot of 500 telegrams.

Your PROFIBUS topology is shown directly according to the INSpektors® web interface. A plain overview of your network is provided showing immediately the current condition of all PROFIBUS nodes.

Technical data

- Voltage supply: +24 VDC ±10 %, 0,2 A
- PROFIBUS
 - Protocols: DP, DPV1, DPV2, FMS, MPI
 - Connection: 9-pol. Sub-D
 - Baud rate: 9,6 kBit/s bis 12 MBit/s
- Ethernet
 - Baud rate: 10 / 1000 MBit/s
 - Connection: RJ45

General data

- Installation: 35 mm DIN rail
- Dimensions (H x W x D): 105 x 54 x 124 mm
- Protective system: IP20
- Operating temperature: +5 °C bis +55 °C

Alerting options

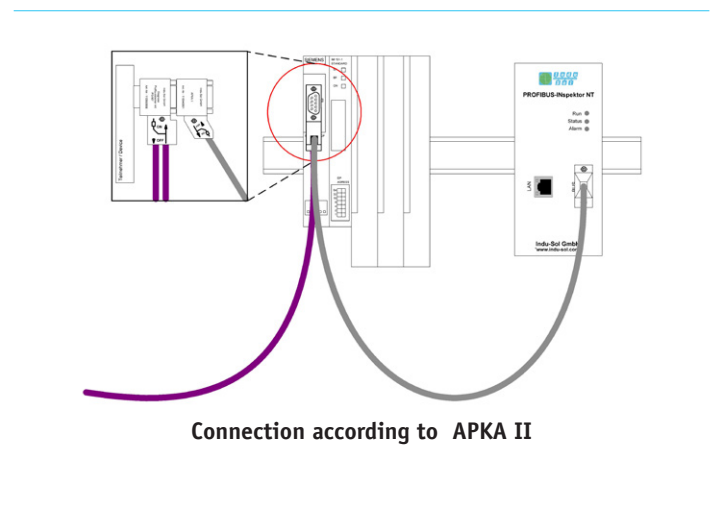
- Email alert
- Floating contact
- LED display
- SNMP trap

Scope of delivery StarterKIT

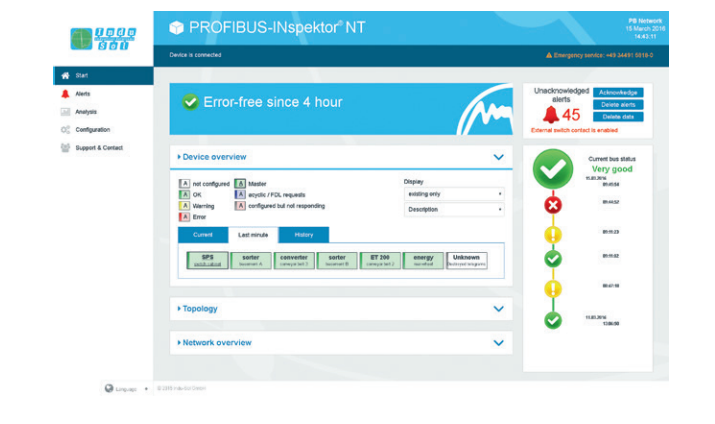
- PROFIBUS-INSpektor® NT
- Active programming cable APKA II
- Patch Cable
- Wall war
- Case



PROFIBUS-INSpektor® NT



Connection according to APKA II



Web interface

Ordering details	Art. No.
PROFIBUS-INSpektor® NT	124010020
PROFIBUS-INSpektor® NT StarterKIT	124010021